

**AXOR Starck**  
**2-handle basin mixer 80 with pop-up waste set**  
 Surfaces: **Chrome** Article Number: **10030000**



### Description

#### product features

- consists of: 2-handle basin mixer, waste set
- ComfortZone 80
- projection 105 mm
- normal spray
- flow rate at 3 bar: 5 l/min
- ceramic valves hot/ cold 180°
- suitable for continuous flow water heaters
- pop-up waste set G 1¼
- connection dimension: DN15

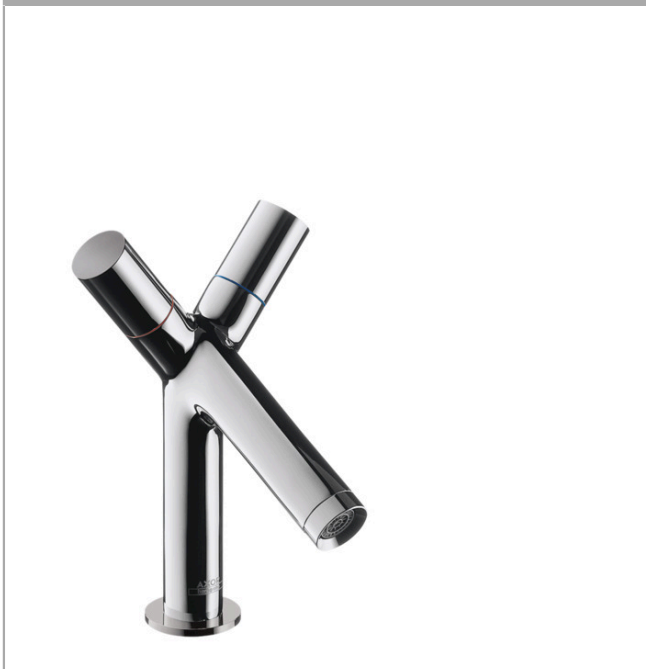
### Technology



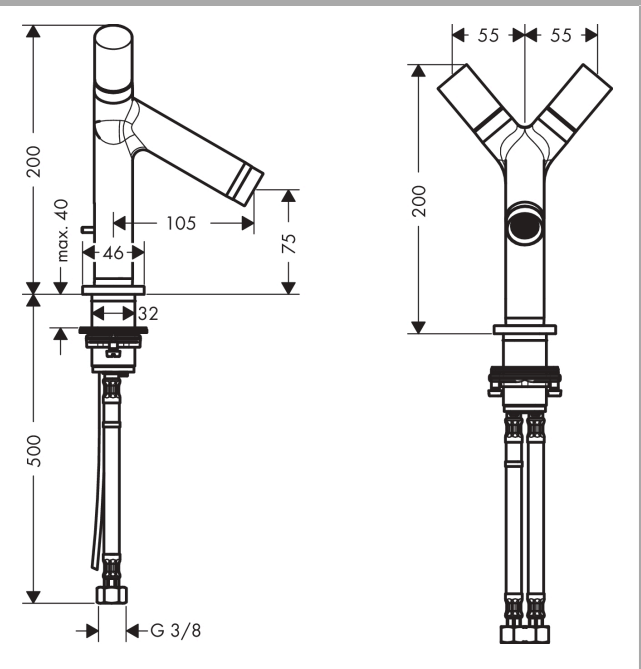
### Design awards



### Product image



### Scale drawing



### Flowchart

